



SPICER[®]
Off-Highway Products

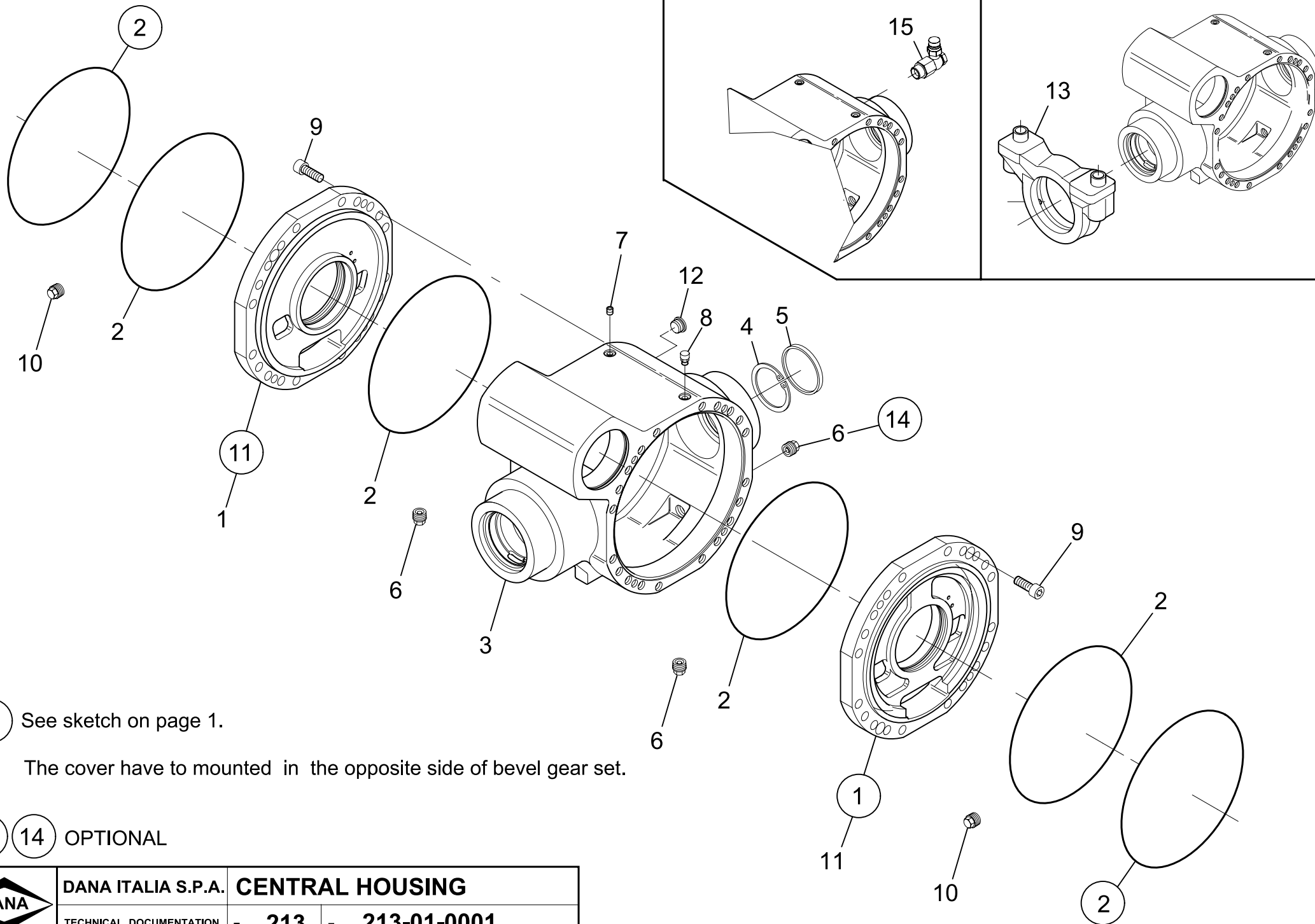
Service Parts List

Axle
213/208

APL-2314
May 2012

WITH HIGH LEVEL OIL PLUG

WITH ONLY ONE TRUNNION



11 See sketch on page 1.

The cover have to mounted in the opposite side of bevel gear set.

2 14 OPTIONAL

	DANA ITALIA S.P.A. CENTRAL HOUSING	
	TECHNICAL DOCUMENT	Type 213 Tav. 213-01-0001



Mod. 213/208

Technical documentation

DISTINTA PEZZI DI RICAMBIO
ERSATZTEILLISTE
LISTE DES PIECES DE RECHANGE
LIST OF SPARE PARTS

Descr. CENTRAL HOUSING

Drawing
213-01-0001

Page N. 1

Date 9/05/12

Pos.	NUMERO DISEGNO BESTELLNUMMER REFERENCE NUMERO PART NUMBER	Q.ty	DENOMINAZIONE BEZEICHNUNG DESCRIPTION DENOMINATION	Type 213	Subassembly 213-01/24
1	113.01.010.05	2	COPERCHIO INTERMEDIO COUVERCLE INTERMEDIAIRE INTERMEDIATE COVER ZWISCHENDECKEL		
2	001.05.2945	4	ANELLO OR JOINT OR O - RING O - RING		
3	213.01.008.01	1	SCATOLA CARTER HOUSING GEHAEUSE		
4	002.02.0088	1	ANELLO DI SICUREZZA ARRETOIR CIRCLIP SICHERUNGSRING		
5	171.01.015.04	1	TAPPO BOUCHON PLUG STOPFEN		
6	355.14.611.02	1	TAPPO MAGNETICO BOUCHON MAGNETIQUE MAGNET PLUG MAGNETSTOPFEN		
7	016.14.1138	1	VITE DI CHIUSURA VIS DE FERMETURE PLUG VERSCHLUSS-SCHRAUBE		
8	702.01.003.01	1	TAPPO SFIATO RENIFLARD VENT ENTLUEFTER		
9	016.30.4244	4	VITE VIS BOLT SCHRAUBE		
10					
11					



Mod. 213/208

Technical documentation

DISTINTA PEZZI DI RICAMBIO
ERSATZTEILLISTE
LISTE DES PIÈCES DE RECHANGE
LIST OF SPARE PARTS

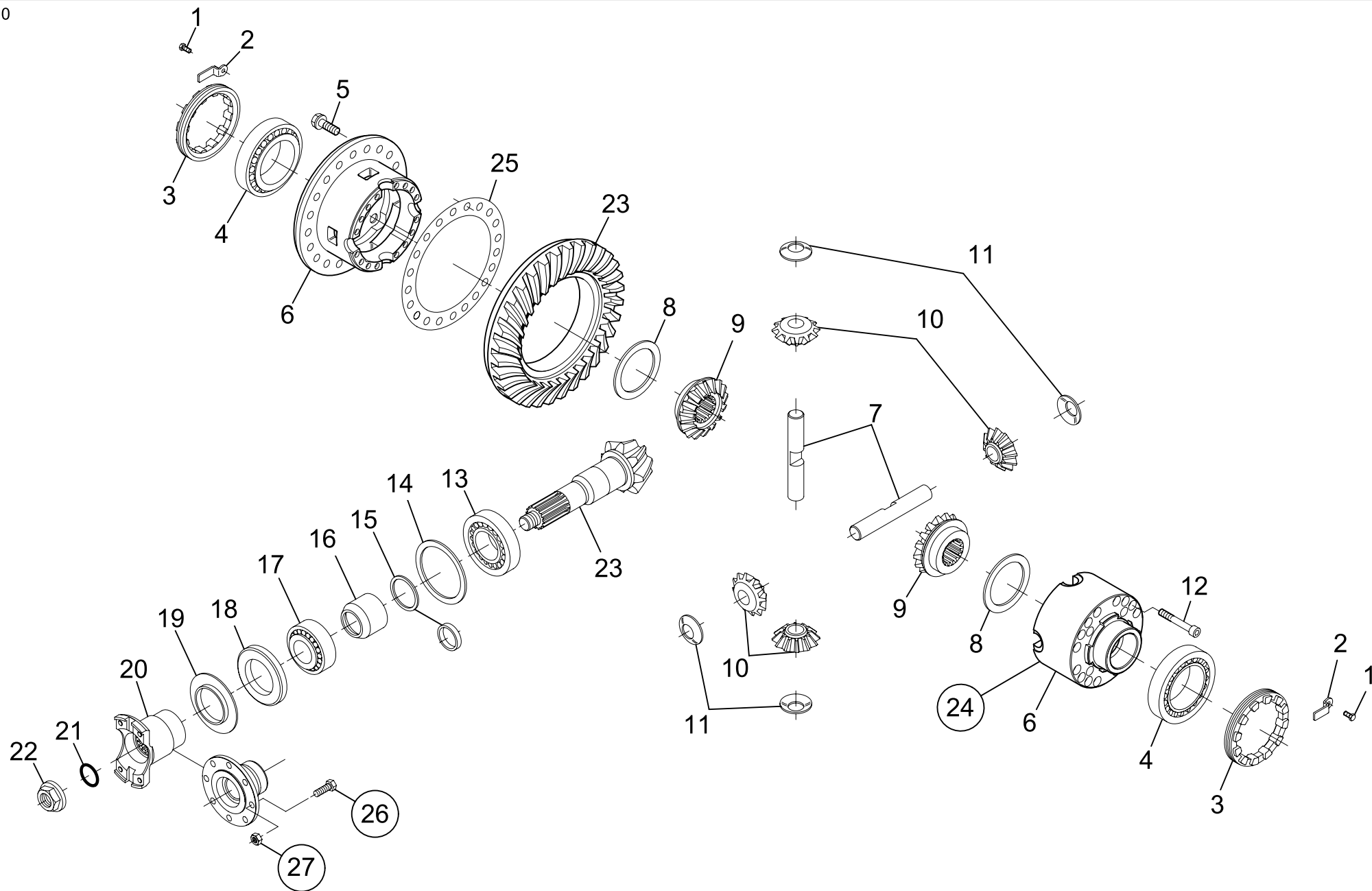
Descr. CENTRAL HOUSING

Drawing
213-01-0001

Page N. 2

Date 9/05/12

Pos.	NUMERO DISEGNO BESTELLNUMMER REFERENCE NUMERO PART NUMBER	Q.ty	DENOMINAZIONE BEZEICHNUNG DESCRIPTION DENOMINATION	Type	Subassembly
12	355.14.610.02	1	TAPPO BOUCHON PLUG STOPFEN	213	213-01/24



26 27 OPTIONAL

24 =Position KIT=6+7+8+9+10+11+12



Mod. 213/208

Technical documentation

DISTINTA PEZZI DI RICAMBIO
ERSATZTEILLISTE
LISTE DES PIECES DE RECHANGE
LIST OF SPARE PARTS

Descr. DIFFERENTIAL

Drawing
213-04-0001

Page N. 1

Date 9/05/12

Pos.	NUMERO DISEGNO BESTELLNUMMER REFERENCE NUMERO PART NUMBER	Q.ty	DENOMINAZIONE BEZEICHNUNG DESCRIPTION DENOMINATION	Type 213	Subassembly 213-04/23
1	016.36.4155	4	VITE VIS BOLT SCHRAUBE		
2	113.04.026.01	2	LAMIERA DI SICUREZZA TOLE DE SECURITE LOCKING PLATE SICHERUNGSBLECH		
3	176.04.009.02	2	GHIERA ECROU RING NUT WELLENMUTTER		
4	005.09.0762	2	CUSCINETTO A RULLI CONICI ROULEMENT A R. CONIQUES TAPER ROLLER BEARING KEGELROLLENLAGER		
5	016.28.3658	20	VITE VIS BOLT SCHRAUBE		
6	113.04.704.01	1	SCATOLA DIFFERENZIALE CARTER DIFFERENTIEL DIFFERENTIAL CARRIER DIFFERENTIALGEHAEUSE		
7	139.04.002.02	2	PERNO DIFFERENZIALE AXE DIFFERENTIAL SHAFT AUSGLEICHSBOLZEN		
8	138.04.009.01	2	RONDELLA DI RASAMENTO RONDELLE FRICTION WASHER ANLAUFSSCHEIBE		
9	113.04.046.01	2	PLANETARIO PLANETAIRE DIFFERENTIAL SIDE GEAR AUSGLEICHSWELLENRAD		
10	113.04.043.01	4	SATELLITE SATELLITE DIFFERENTIAL PINION AUSGLEICHSKEGELRAD		



Mod. 213/208

Technical documentation

DISTINTA PEZZI DI RICAMBIO
ERSATZTEILLISTE
LISTE DES PIECES DE RECHANGE
LIST OF SPARE PARTS

Descr. DIFFERENTIAL

Drawing
213-04-0001

Page N. 2

Date 9/05/12

Pos.	NUMERO DISEGNO BESTELLNUMMER REFERENCE NUMERO PART NUMBER	Q.ty	DENOMINAZIONE BEZEICHNUNG DESCRIPTION DENOMINATION	Type 213	Subassembly 213-04/23
11	139.04.001.01	4	RONDELLA DI RASAMENTO RONDELLE FRICTION WASHER ANLAUFSCHEIBE		
12	016.38.4165	15	VITE VIS BOLT SCHRAUBE		
13	005.10.1457	1	CUSCINETTO A RULLI CONICI ROULEMENT A R. CONIQUES TAPER ROLLER BEARING KEGELROLLENLAGER		
14	013.01.0320 013.01.0321 013.01.0322 013.01.1201	1 1 1 1	SPESSORE CALE SHIM PASS - SCHEIBE		
15	113.04.400.07	1	KIT ANELLI KIT ARRETOIR RING KIT RINGE KIT		
16	113.04.048.01	1	DISTANZIALE ENTRETOISE SPACER DISTANZRING		
17	005.09.0831	1	CUSCINETTO A RULLI CONICI ROULEMENT A R. CONIQUES TAPER ROLLER BEARING KEGELROLLENLAGER		
18	001.13.1234	1	ANELLO DI TENUTA JOINT D'ETANCHEITE SEAL DICHRING		
19	276.01.005.01	1	LAMIERA DI PROTEZIONE PROTECTION EN TOLE COVERPLATE SCHUTZBLECH		
20	734.04.073.02	1	FLANGIA BRIDE FLANGE FLANSCH		



Mod. 213/208

Technical documentation

DISTINTA PEZZI DI RICAMBIO
ERSATZTEILLISTE
LISTE DES PIECES DE RECHANGE
LIST OF SPARE PARTS

Descr. DIFFERENTIAL

Drawing
213-04-0001

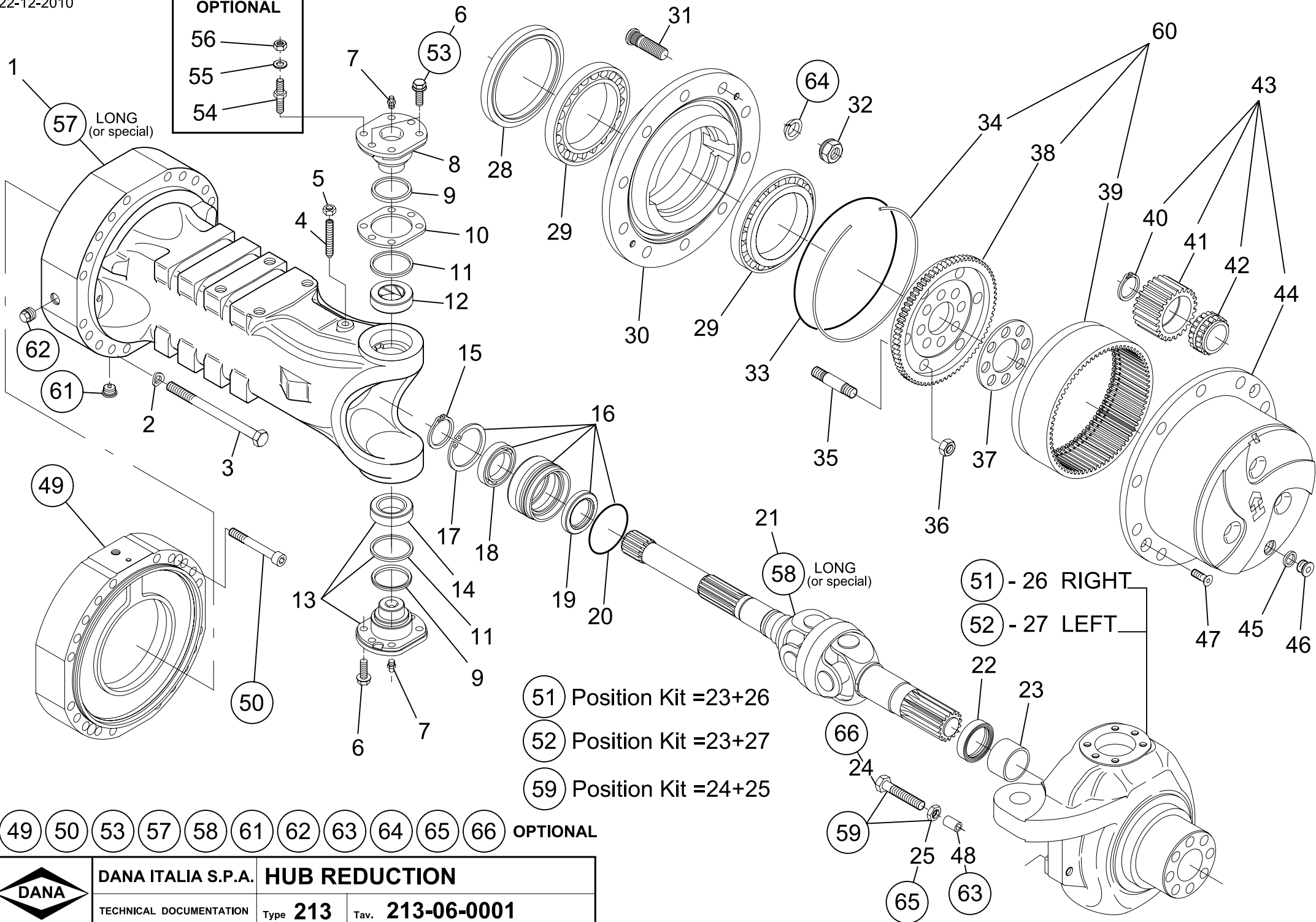
Page N. 3

Date 9/05/12

Pos.	NUMERO DISEGNO BESTELLNUMMER REFERENCE NUMERO PART NUMBER	Q.ty	DENOMINAZIONE BEZEICHNUNG DESCRIPTION DENOMINATION	Type 213	Subassembly 213-04/23
21	001.05.0818	1	ANELLO OR JOINT OR O - RING O - RING		
22	734.04.035.01	1	DADO ECROU NUT MUTTER		
23	113.04.500.11	1	COPPIA CONICA COUPLE CONIQUE BEVEL GEAR SET KEGEL- UND TELLERRADPAAR		
24	113.04.753.02	1	DIFFERENZIALE DIFFERENTIEL DIFFERENTIAL DIFFERENTIAL		

OPTIONAL

- 56
- 55
- 54



- 51 Position Kit =23+26
- 52 Position Kit =23+27
- 59 Position Kit =24+25

- 51 - 26 RIGHT
- 52 - 27 LEFT

- 49
- 50
- 53
- 57
- 58
- 61
- 62
- 63
- 64
- 65
- 66
- OPTIONAL



Mod. 213/208

Technical documentation

DISTINTA PEZZI DI RICAMBIO
ERSATZTEILLISTE
LISTE DES PIECES DE RECHANGE
LIST OF SPARE PARTS

Descr. HUB REDUCTION

Drawing
213-06-0001

Page N. 1

Date 9/05/12

Pos.	NUMERO DISEGNO BESTELLNUMMER REFERENCE NUMERO PART NUMBER	Q.ty	DENOMINAZIONE BEZEICHNUNG DESCRIPTION DENOMINATION	Type 213	Subassembly 213-06/89
1	213.06.034.01	2	BRACCIO CORPS D'ESSIEU AXLE CASE ACHSKOERPER		
2					
3	112.06.070.09	40	VITE VIS BOLT SCHRAUBE		
4	016.13.3392	2	VITE VIS BOLT SCHRAUBE		
5	006.03.0197	2	DADO ECROU NUT MUTTER		
6	016.28.3390	24	VITE VIS BOLT SCHRAUBE		
7	008.01.0213	4	INGRASSATORE GRAISSEUR GREASE FITTING KEGEL - SCHMIERNIPPEL		
8	213.06.007.03	2	PERNO SNODO PIVOT DE DIRECTION PIVOT PIN ACHSSCHENKELBOLZEN		
9					
10	212.06.026.01 212.06.026.02 212.06.026.03	2 2 2	SPESSORE CALE SHIM PASS - SCHEIBE		



Mod. 213/208

Technical documentation

DISTINTA PEZZI DI RICAMBIO
ERSATZTEILLISTE
LISTE DES PIECES DE RECHANGE
LIST OF SPARE PARTS

Descr. HUB REDUCTION

Drawing
213-06-0001

Page N. 2

Date 9/05/12

Pos.	NUMERO DISEGNO BESTELLNUMMER REFERENCE NUMERO PART NUMBER	Q.ty	DENOMINAZIONE BEZEICHNUNG DESCRIPTION DENOMINATION	Type 213	Subassembly 213-06/89
11	213.06.006.03	2 2	ANELLO PARAPOLVERE BAGUE ANTI-POUSSIÈRE DUST EXCLUDER STAUBABWEHRRING		
12	290.06.015.02	2	BOCCOLA DOUILLE BUSHING BUCHSE		
13	213.06.701.03	2	PERNO SNODO PIVOT DE DIRECTION PIVOT PIN ACHSSCHENKELBOLZEN		
14	290.06.016.01	2	CUSCINETTO ROULEMENT BEARING LAGER		
15	002.01.0078	2	ANELLO DI SICUREZZA ARRETOIR CIRCLIP SICHERUNGSRING		
16	212.06.700.01	2	BUSSOLA MANCHON DE REDUCTION REDUCTION BUSHING ZWISCHENBUCHSE		
17	002.02.0088	2	ANELLO DI SICUREZZA ARRETOIR CIRCLIP SICHERUNGSRING		
18	005.01.0121	2	CUSCINETTO A SFERE ROULEMENT A BILLES BALL BEARING RILLENKUGELLAGER		
19	729.06.009.01	2	ANELLO DI TENUTA JOINT D'ETANCHEITE SEAL DICHTRING		
20	001.05.1389	2	ANELLO OR JOINT OR O - RING O - RING		



Mod. 213/208

Technical documentation

DISTINTA PEZZI DI RICAMBIO
ERSATZTEILLISTE
LISTE DES PIECES DE RECHANGE
LIST OF SPARE PARTS

Descr. HUB REDUCTION

Drawing
213-06-0001

Page N. 3

Date 9/05/12

Pos.	NUMERO DISEGNO BESTELLNUMMER REFERENCE NUMERO PART NUMBER	Q.ty	DENOMINAZIONE BEZEICHNUNG DESCRIPTION DENOMINATION	Type 213	Subassembly 213-06/89
21	213.06.610.06	2	GIUNTO JOINT JOINT GELENK		
22	213.06.015.01	2	ANELLO DI TENUTA JOINT D'ETANCHEITE SEAL DICHRING		
23	290.06.020.03	1 1	BRONZINA DOUILLE THRUST BUSHING ANLAUFBUCHSE		
24	213.06.011.01	4	VITE VIS BOLT SCHRAUBE		
25	006.05.1521	4	DADO ECROU NUT MUTTER		
26	213.06.003.02	1	SCATOLA SNODO BOITIER DE DIRECTION STEERING CASE GELENKGEHAEUSE		
27	213.06.002.02	1	SCATOLA SNODO BOITIER DE DIRECTION STEERING CASE GELENKGEHAEUSE		
28	123.06.016.01	2	ANELLO DI TENUTA JOINT D'ETANCHEITE SEAL DICHRING		
29	005.10.1427	4	CUSCINETTO A RULLI CONICI ROULEMENT A R. CONIQUES TAPER ROLLER BEARING KEGELROLLENLAGER		
30	213.06.004.01	2	MOZZO RUOTA MOYEU DE ROUE WHEEL HUB RADNABE		



Mod. 213/208

Technical documentation

DISTINTA PEZZI DI RICAMBIO
ERSATZTEILLISTE
LISTE DES PIECES DE RECHANGE
LIST OF SPARE PARTS

Descr. HUB REDUCTION

Drawing
213-06-0001

Page N. 4

Date 9/05/12

Pos.	NUMERO DISEGNO BESTELLNUMMER REFERENCE NUMERO PART NUMBER	Q.ty	DENOMINAZIONE BEZEICHNUNG DESCRIPTION DENOMINATION	Type 213	Subassembly 213-06/89
31	176.06.006.01	20	COLONNETTA GOUJON DE ROUE WHEEL STUD RADBOLZEN		
32	112.06.088.03	20	DADO ECROU NUT MUTTER		
33	001.05.1119	2	ANELLO OR JOINT OR O - RING O - RING		
34	290.06.014.02	2	ANELLO DI SICUREZZA ARRETOIR CIRCLIP SICHERUNGSRING		
35	176.06.065.02	16	PRIGIONIERO GOUJON STUD STIFTSCHRAUBE		
36	006.22.4177	16	DADO ECROU NUT MUTTER		
37	113.06.007.01	2	LAMIERA DI SICUREZZA TOLE DE SECURITE LOCKING PLATE SICHERUNGSBLECH		
38	113.06.008.01	2	SUPPORTO PORTACORONA SUPPORT PORTE COURONNE RING GEAR SUPPORT HOHLRADTRAEGER		
39	290.06.010.07	2	CORONA DENTATA COURONNE DENTEE RING GEAR ZAHNKRANZ		
40	002.14.3202	6	ANELLO D'ARRESTO BAGUE D'ARRET SNAP RING SPRENGRING		



Mod. 213/208

Technical documentation

DISTINTA PEZZI DI RICAMBIO
ERSATZTEILLISTE
LISTE DES PIECES DE RECHANGE
LIST OF SPARE PARTS

Descr. HUB REDUCTION

Drawing
213-06-0001

Page N. 5

Date 9/05/12

Pos.	NUMERO DISEGNO BESTELNUMMER REFERENCE NUMERO PART NUMBER	Q.ty	DENOMINAZIONE BEZEICHNUNG DESCRIPTION DENOMINATION	Type 213	Subassembly 213-06/89
41	290.06.011.02	6	SATELLITE (PLAN.) SATELLITE PLANET GEAR PLANETENRAD		
42	290.06.013.03	6	CUSCINETTO ROULEMENT BEARING LAGER		
43	212.06.710.23	2	SUPPORTO SATELLITI SUPPORT SATELLITES PLANET GEAR CARRIER PLANETENGEHAEUSE		
44	112.06.054.02	2	SUPPORTO SATELLITI SUPPORT SATELLITES PLANET GEAR CARRIER PLANETENGEHAEUSE		
45					
46	112.01.610.01	4	TAPPO BOUCHON PLUG STOPFEN		
47	016.06.0442	4	VITE A TESTA CONICA VIS A TETE CONIQUE COUNTERSUNK BOLT SENKSCHRAUBE		
48					
49					
50					
51	213.06.703.02	1	SCATOLA SNODO		



Mod. 213/208

Technical documentation

DISTINTA PEZZI DI RICAMBIO
ERSATZTEILLISTE
LISTE DES PIECES DE RECHANGE
LIST OF SPARE PARTS

Descr. HUB REDUCTION

Drawing
213-06-0001

Page N. 6

Date 9/05/12

Pos.	NUMERO DISEGNO BESTELLNUMMER REFERENCE NUMERO PART NUMBER	Q.ty	DENOMINAZIONE BEZEICHNUNG DESCRIPTION DENOMINATION	Type 213	Subassembly 213-06/89
52	213.06.702.02	1	BOITIER DE DIRECTION STEERING CASE GELENKGEHAEUSE SCATOLA SNODO BOITIER DE DIRECTION STEERING CASE GELENKGEHAEUSE		
53					
54					
55					
56					
57					
58					
59	213.06.711.01	4	VITE DI FERMO STERZO VIS D'ARRET BRAQUAGE STEERING ADJUST BOLT LENKEINSCHLAGSCHRAUBE		
60	113.06.708.03	2	SUPPORTO PORTACORONA SUPPORT PORTE COURONNE RING GEAR SUPPORT HOHLRADTRAEGER		



Mod. 213/208

Technical documentation

DISTINTA PEZZI DI RICAMBIO
ERSATZTEILLISTE
LISTE DES PIECES DE RECHANGE
LIST OF SPARE PARTS

Descr. HUB REDUCTION

Drawing
213-06-0001

Page N. 7

Date 9/05/12

Pos.	NUMERO DISEGNO BESTELLNUMMER REFERENCE NUMERO PART NUMBER	Q.ty	DENOMINAZIONE BEZEICHNUNG DESCRIPTION DENOMINATION	Type 213	Subassembly 213-06/89
61	112.01.610.03	2	TAPPO MAGNETICO BOUCHON MAGNETIQUE MAGNET PLUG MAGNETSTOPFEN		



Mod. 213/208

Technical documentation

DISTINTA PEZZI DI RICAMBIO
ERSATZTEILLISTE
LISTE DES PIECES DE RECHANGE
LIST OF SPARE PARTS

Descr. BRAKES

Drawing
213-07-0005

Page N. 1

Date 9/05/12

Pos.	NUMERO DISEGNO BESTELLNUMMER REFERENCE NUMERO PART NUMBER	Q.ty	DENOMINAZIONE BEZEICHNUNG DESCRIPTION DENOMINATION	Type 213	Subassembly 213-07/19
1	113.07.004.01	2	MOLLA RESSORT SPRING FEDER		
2	001.05.3375	2	ANELLO OR JOINT OR O - RING O - RING		
3	113.07.001.07	2	PISTONE PISTON PISTON KOLBEN		
4	111.07.004.01	4	ANELLO ANTIESTRUSIONE BAGUE ANTIEXTRUSION BACK - UP RING ANTIEXTRUSIONSRING		
5	734.07.014.02	4	VITE SPURGO VIS DE PURGE BLEEDING BOLT ABBLASESCHRAUBE		
6	734.07.015.01	4	TAPPO BOUCHON PLUG STOPFEN		
7	112.07.615.01	4	TAPPO BOUCHON PLUG STOPFEN		
8					
9	171.07.010.02	6	MOLLA RESSORT SPRING FEDER		
10	154.06.014.02	6	VITE REGISTRO VIS DE REGLAGE ADJUSTING BOLT NACHSTELLSCHRAUBE		



Mod. 213/208

Technical documentation

DISTINTA PEZZI DI RICAMBIO
ERSATZTEILLISTE
LISTE DES PIECES DE RECHANGE
LIST OF SPARE PARTS

Descr. BRAKES

Drawing
213-07-0005

Page N. 2

Date 9/05/12

Pos.	NUMERO DISEGNO BESTELLNUMMER REFERENCE NUMERO PART NUMBER	Q.ty	DENOMINAZIONE BEZEICHNUNG DESCRIPTION DENOMINATION	Type 213	Subassembly 213-07/19
11	154.07.001.01	6	DISCO FRENO INTERMEDIO DISQUE INTERMEDIAIRE INTERMEDIATE BRAKE DISC GEGENLAMELLE		
12	113.07.610.01	6	DISCO FRENO DISQUE DE FREIN BRAKE DISC BREMSSCHEIBE		
13	113.07.014.02	2	BUSSOLA MANCHON DE REDUCTION REDUCTION BUSHING ZWISCHENBUCHSE		
14	112.07.037.15	6	VITE REGISTRO VIS DE REGLAGE ADJUSTING BOLT NACHSTELLSCHRAUBE		
15	112.07.002.03	6	MOLLA RESSORT SPRING FEDER		
16	113.07.012.01	2	DISCO FRENO INTERMEDIO DISQUE INTERMEDIAIRE INTERMEDIATE BRAKE DISC GEGENLAMELLE		
17	113.01.009.04	2	COPERCHIO COUVERCLE COVER DECKEL		
18	111.07.005.01	4	ANELLO DI TENUTA JOINT D'ETANCHEITE SEAL DICHRING		
19	123.07.009.01	2	DISTANZIALE ENTRETOISE SPACER DISTANZRING		
20	013.01.3608 013.01.3609 013.01.3610	2 2 2	SPESSORE CALE SHIM PASS - SCHEIBE		



Mod. 213/208

Technical documentation

DISTINTA PEZZI DI RICAMBIO
ERSATZTEILLISTE
LISTE DES PIECES DE RECHANGE
LIST OF SPARE PARTS

Descr. BRAKES

Drawing
213-07-0005

Page N. 3

Date 9/05/12

Pos.	NUMERO DISEGNO BESTELLNUMMER REFERENCE NUMERO PART NUMBER	Q.ty	DENOMINAZIONE BEZEICHNUNG DESCRIPTION DENOMINATION	Type 213	Subassembly 213-07/19
21	011.13.1227	4	ROSETTA RONDELLE LOCK WASHER SCHEIBE		
22	006.05.0684	4	DADO ECROU NUT MUTTER		
23	150.07.001.01	4	VITE VIS BOLT SCHRAUBE		
24	001.05.2945	2	ANELLO OR JOINT OR O - RING O - RING		
25	113.07.002.03	2	PISTONE PISTON PISTON KOLBEN		
26	355.14.048.01	2	ANELLO ANTIESTRUSIONE BAGUE ANTIEXTRUSION BACK - UP RING ANTIEXTRUSIONSRING		
27	112.07.024.01	2	ANELLO OR JOINT OR O - RING O - RING		
28					
29	016.04.0547	4	VITE A TESTA CILINDRICA VIS A TETE CYLINDRIQUE CYLINDER BOLT ZYLINDERSCHRAUBE		
30	014.02.1906	4	SPINA BROCHE DOWEL STIFT		



Mod. 213/208

Technical documentation

DISTINTA PEZZI DI RICAMBIO
ERSATZTEILLISTE
LISTE DES PIECES DE RECHANGE
LIST OF SPARE PARTS

Descr. STEERING

Drawing
213-24-0001

Page N. 1

Date 9/05/12

Pos.	NUMERO DISEGNO BESTELLNUMMER REFERENCE NUMERO PART NUMBER	Q.ty	DENOMINAZIONE BEZEICHNUNG DESCRIPTION DENOMINATION	Type 213	Subassembly 213-24/03
1	213.24.621.22	2	ASTA ASSIALE ARTICOLATA TIGE AXIALE ARTICULEE ARTICULATED TIE ROD GELENKTESPURSTANGE		
2	001.05.1629	2	ANELLO OR JOINT OR O - RING O - RING		
3	016.30.4244	5	VITE VIS BOLT SCHRAUBE		
4	213.24.620.05	1	CILINDRO CILINDRE CYLINDER ZYLINDER		
5	016.30.4246	3	VITE VIS BOLT SCHRAUBE		
6	279.24.610.20	1	RILEVATORE ELETTRONICO RELEVER ELECTRONIC SENSOR ELEKTR. MESSGERAET		
7					
8	001.05.1579	1	ANELLO OR JOINT OR O - RING O - RING		

© Copyright 2012 Dana Holding Corporation
All content is subject to copyright by Dana and may not be reproduced in whole or in part by any means, electronic or otherwise, without prior written approval.
THIS INFORMATION IS NOT INTENDED FOR SALE OR RESALE, AND THIS NOTICE MUST REMAIN ON ALL COPIES.

For product inquiries or support,
visit www.dana.com or call 419-887-6445
For other service publications,
visit www.SpicerParts.com/literature.asp
For online service parts ordering,
visit www.SpicerParts.com/order.asp



SPICER[®]

Off-Highway Products